

FIRESIDE INN

Since 1908



Breakfast: 8:30 to 10:30 a.m. Weekends & Holidays

9 to 10 a.m. Weekdays

Dinner by Reservation 5 to 6:30 p.m.

Call (989) 595-6369

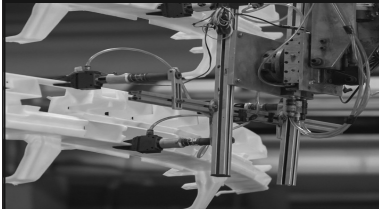
Cabins and Rooms

18730 Fireside Hwy., on East Grand Lake



989-657-4325

www.twoheartedcharters.com



As a fourth-generation, family-owned and managed business, Cadillac Products Automotive Company is dedicated to continually providing innovative and forward-thinking solutions.



CADILLAC PRODUCTS
AUTOMOTIVE COMPANY

DEDICATED TO THE NEXT GENERATION!

...of EMPLOYEES...of CUSTOMERS...
of SUPPLY PARTNERS...of SHAREHOLDERS

4858 Williams Road • Rogers City, MI 49779
Phone: (989) 340-6800

www.cadprodauto.com



Steve Spencer,
Innkeeper

E-mail: pilodge@hotmail.com

www.presqueislelodge.com

(989) 595-6970 Summer • (231) 357-9548 Cell

8211 E. Grand Lake Rd., P.O. Box 84, Presque Isle, MI 49777

Grand Lake Sportsmen's Club

Saturday, July 9, 2022



Est. 1965

www.grandlakesportsmen.org

46TH ANNUAL FISH DERBY

• Fish Derby at Grand Lake •

SPONSORS FOR EACH FISH CATEGORY (see inside brochure)

Northern Pike, Walleye, Bass, Perch, and Rock Bass

1st Place...\$80.00

2nd Place...\$70.00

3rd Place...\$60.00

4th Place...\$50.00

5th Place...\$40.00

6th Place...\$30.00

7th Place...\$20.00

SPECIAL KIDS DIVISION – 12 & UNDER

Bluegill, Perch, Bass and Rock Bass (see inside)

One prize per person, per category
Largest fish will be decided by length only.

••• NO ENTRY FEE •••

FISH DERBY AWARDS

Weigh-in from 5-8 p.m. at Pavilion

FLETCHER GILCHRIST PARK

(North End Park)

14300 Highway 638 East, Presque Isle, MI 49777

PLEASE SUPPORT THE SPONSORS IN THIS BOOKLET

46th Annual FISH DERBY



Doug Nitchman,
Owner/Operator

- Directional Boring
- Trenching
- Plowing
- Aerial Construction

Cell: (231) 657-8966
Office/Fax: (231) 487-0583
E-mail: nuc@charter.net

Sponsor of the Perch Division

- | | |
|---------------------------------|---------------------------------|
| 1 st Place...\$80.00 | 4 th Place...\$50.00 |
| 2 nd Place...\$70.00 | 5 th Place...\$40.00 |
| 3 rd Place...\$60.00 | 6 th Place...\$30.00 |
| | 7 th Place...\$20.00 |

Ties decided by time measured.



100 Years of Northern Michigan's Finest Sausage making with locations in Rogers City, Alpena & Gaylord Order online to have shipped to your door at www.NowickisSausage.com

Losinski Excavating & Septic Tank, Inc.

Specializing in Tanks & Fields



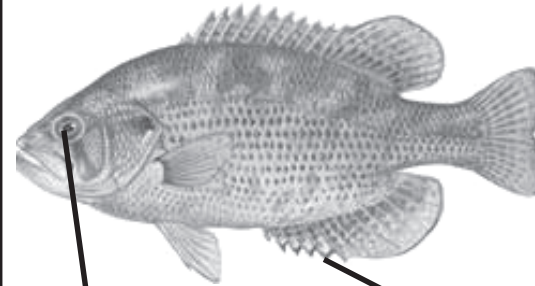
Irrigation
Sand and Gravel
Bulldozing

Owned by Perry Losinski

5281 US-23 North Phone: (989) 356-1151
Alpena, MI 49707 Fax: (989) 358-8503

Jimmy Chen's Hunan Chinese Restaurant
1283 W. M-32, Alpena, MI 49707
(989) 356-6461

Rock Bass



Red Eye

Six spines

HINCKA LOGGING LLC



766-8893
Firewood For Sale
Buying Standing Timber

Joseph Stieber

JES TAX SERVICE

Individual, Corporate, Partnership Tax Returns

10944 E. Grand Lake Rd.
Presque Isle, MI 49777 Phone: (989) 595-2861

T.N.T. BAR

Stop and Get

County Road 451
(989) 734-4300



Owner
Gus Neumann



Voted Greatest
"Living Room Bar"
in the World!

Stop in for a burger, a beer and
some corn hole out back

1081 Dettloff Street • Rogers City, MI 989-734-4152



Grand Lake Tree Service

Insured & Very Affordable

Timothy Wieczorkowski, Owner
6616 Black Bass Bay Rd., Presque Isle, MI 49777

Pruning, Trimming, Cutting
Stump Grinding & Clean-up

**No Job
Too Small**
(989) 595-3198



A & J Pools & Spas

Authorized Hot Springs Portable Spas Sales &
Service Professional

2078 M-32 W., Alpena, MI 49707
Al Skiba Jr., Owner
albertskiba@hotmail.com
Phone (989) 354-3632
Fax: (989) 356-4981



Beck Funeral Home

Ted Beck, Owner/Manager

229 North First Street,
Rogers City, MI 49779

(989) 734-2288



ROMEL SERVICES
CUSTOM BUTCHER &
SAUSAGE SHOP

CUSTOM SLAUGHTERING & CUTTING

CATTLE PIGS SHEEP GOATS

MEAT IS VACUUM PACKED

SMOKED MEAT

SERVICES AVAILABLE

7482 HINCKA RD. POSEN, MI 49776
989-766-8129



Wolverine
State
Credit Union

Proud Sponsor of the Community

1381 N. Bagley & 417 W. Chisholm, Alpena, MI
(989) 356-1880 & (989) 354-2850



New Owners: Greg & Aleisha Roznowski
Metz, MI

989-766-2380

Homemade Burgers, Deep Fried Food,
Smoked Food

"Good Place For Cold Beer & Good Food!"



BAYSIDE BAIT

11570 Bell Bay Rd.,
Presque Isle, MI 49777

(989) 595-2989

Wholesale Retail

Lynn Morrison, Owner

Sponsor of the Walleye Division

1st Place...\$80.00

2nd Place...\$70.00

3rd Place...\$60.00

4th Place...\$50.00

5th Place...\$40.00

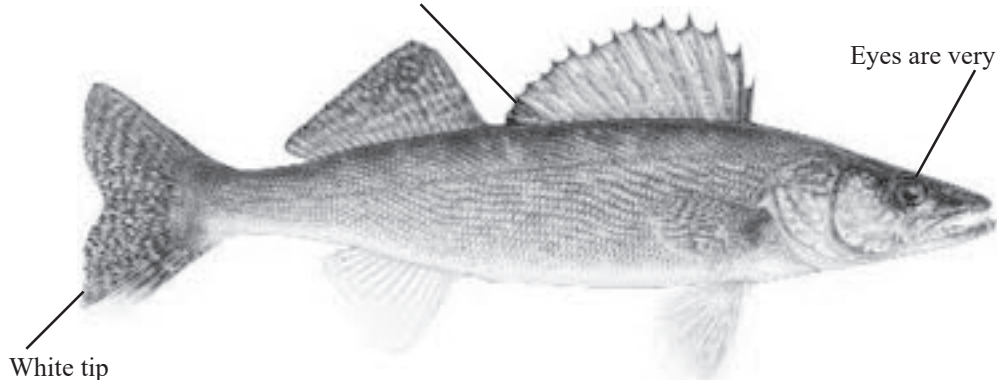
6th Place...\$30.00

7th Place...\$20.00

Ties decided by time measured.

Dark blotch and fins not connected.

Eyes are very reflective.



GRAND LAKE SPORTSMEN'S CLUB FISH DERBY February 12, 2022

WINNING FISH

PERCH

Cari Orr	13-5/8"
Jim Diehl	13-1/2"
Ron Connon	13-1/2"
Ryan Gallagher	13-1/2"
Tyler Liske	13-1/4"
Danielle Gibson	13-1/4"
Jon Kortman	12-7/8"
John Miller	12-7/8"
Kris Solderski	12-3/4"
Frank Millard	12-3/4"
Dylan Orr	12-5/8"
Ben Wisniewski	12-5/8"
Terry McConnell	12-1/2"
Ryan Wiczorkowsk	12-1/2"

Mark Kelley	12-1/4"
Tom Connon	12"
Brendon Bedient	12"
Andrew Golmski	12"
Rich Standen	11-3/4"
Jim Bedient	11-3/4"

PIKE

Allen Wisniewski	28-1/2"
Tyson Tinker	26-1/4"
Glen Wisniewski	25-1/2"
Eli Kruczynski	25-1/4"

WALLEYE

Kyle Kensa	20-1/4"
Tiffany DeYoung (Glory seeker)	20"
Riley Dault	18"
Kris Solderski	16-3/4"
Bryan Zdybel	15-7/8"

GRAND LAKE SPORTSMEN'S CLUB

44th Annual Fish Derby At Grand Lake Held on July 10, 2021

Winners

Walleye

Jason Black	20.00"
Steve Meyer	19.50"
Ryan Wiczorkowski	19.375"
Fred Woolman	18.25"
Annette Romel	18.125"

Bass

Rick Przytulski	16.00"
Aggie Tobia	15.875"
Mike Beeson	15.50"
Mark Grulke	15.00"

Perch

Fred Woolman	13.125"
Francesco Reale	12.75"
Oliver Duthler	11.50"
Dennis Harris	11.50"

Jory Zdybel	11.375"
Rock Bass	
Rick Przytulski	11.375"
Mike Beeson	11.00"
Dennis Harris	10.75"

Pike

Dennis Harris	36.125"
Roger Hoggard	32.00"
Jody Lake	26.00"
Jamie Mey	24.50"

Kids 12 & Under

Perch	
Walter Weinkauf	10.875"
Dawson Smolinski	10.75"
Tyler Worth	10.25"

Avery Smolinski	10.25"
Evan Reisner	10.125"
Kristopher Spencer	9.75"
Zac Robarge	9.50"
Arianna Ruggirello	9.375"
Drew Meyer	9.375"
Olivia Buza	9.25"

Rock Bass

Tyler Worth	11.75"
David Black	9.625"
Vincenzo Ruggirello	8.00"

Blue Gill

Kristopher Spencer	8.50"
Landry	7.25"
Dawson Smolinski	6.75"
Arianna Ruggirello	6.125"
Avery Smolinski	6.00"

Excerpt from 2019 DNR Grand Lake Survey

The Grand Lake panfish community is low in diversity but can be high in quality. Yellow perch are the main attraction for anglers at this lake year around. Yellow perch attain large sizes through longevity rather than fast growth. The warm water and lack of a summer thermo cline may reduce growth rates of perch. Abundance is usually good, although large perch are likely affected by high mortality rates and harvest. Rock Bass are very prolific at Grand Lake and attain large sizes. Pumpkinseed and Bluegill also inhabit Grand Lake, but much lower numbers. The predator base of Grand Lake is also low in diversity. Most anglers seek out Walleye and Small-mouth Bass. Walleye numbers appear quite adequate currently and continue to be sustained through natural reproduction. Since the lake is not stocked, there will be a natural fluctuations in walleye abundance, but they will be within the carrying capacity of the lake to sustain the species. Supplementing the strong wild population through stocking would certainly hinder the wild population through competition.

http://www.michigan.gov/documents/dnr/GrandLake_SFR_2019

2022 Presque Isle Area Calendar

Date	Activity
June 22	Pie & Game Night in honor of Lol Rouleau
July 2	Sailing Regatta
July 9	Ice Cream Social & Taste of Grand Lake
July 29 & 30	Garage Sale Days
August 6	Sailing Regatta
August 13	Art & Craft Show
August 25	Annual Meeting
September 4	Community Picnic

Officers & Board Members

President – Jeff Duly

Vice President – Bob Wysocki

Secretary – Helen Rygwelski

Treasurer – Paul Borg

Board members: Jan Meabon (membership coordinator), Mary Jo Skiba, Eamon Power, Bill Yaklin, Raymond Woodrow, Roger Hoggard and Terry McConnell

Al Bourdeau

INSURANCE AGENCY

Serving Michigan For Over 100 Years



Purchasing high-quality insurance can be quick and easy, and it doesn't have to be expensive. You just need to find the right insurance agency:

Al Bourdeau Insurance Agency

Home - Auto - Boat - Business
DaveB@albourdeau.com

800-644-6030

www.albourdeau.com

Sponsor of the Bass Division

1 st Place...\$80.00		4 th Place...\$50.00
2 nd Place...\$70.00		5 th Place...\$40.00
3 rd Place...\$60.00		6 th Place...\$30.00
		7 th Place...\$20.00

Ties decided by time measured.

Certified
Piedmontese
Wagyu Beef

1313 Erskine
Detroit, MI
48207

Fairway Packing Co.

Prime Beef

Dry Aged Beef

JOE BARATTA

(313) 832-2710 • Fax: (313) 832-1649

www.fairwaypacking.com

Sponsor of the Rock Bass Division

1st Place...\$80.00

4th Place...\$50.00

2nd Place...\$70.00

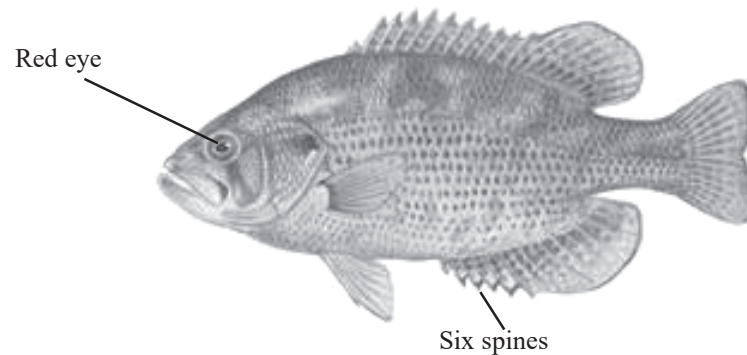
5th Place...\$40.00

3rd Place...\$60.00

6th Place...\$30.00

7th Place...\$20.00

Ties decided by time measured.



Your specialists for Waterfront and Forest Property in Presque Isle
HOMES • LOTS • ACREAGE

7750 E. Grand Lake Rd., Presque Isle • **Phone: (989) 595-2970**

Find Us On
Facebook

On the web: www.lake-shore-realty.com

CURTIS EXCAVATING, INC.

Commercial & Residential

Free Estimates

Fully Licensed & Insured

501 Park Dr., Rogers City, MI 49779

Over 40 years Experience

Ponds - Basements - Screened curtisexcavatinginc@gmail.com
Topsoil - Sand - Clay - Gravel Bus.: (989) 734-2388
Clearing & Tree Removal Fax: (989) 734-3389
Road Building - Septic Systems Todd: (989) 306-1313
Trenching - Complete Site Construction

It's Always Summer at the **Sandbar**

On Long Lake
Alpena, MI

& Grill

*Best Ribs
in Town!*

- Nightly Food Specials
- Thursday & Sturday BBQ Ribs
- Friday - Fish Fry
- Open for Lunch Daily

*Pizza Burgers Hoagies
Bloomin' Onions and Much More!*



Live Entertainment Every Saturday

9027 W. Long Lake Rd., Alpena • (989) 595-0009

Hours: Sun. - Thurs., 12-10 p.m., Fri. & Sat. 12 p.m. - 1 a.m.

Posen Auto Parts LLC

10941 Michigan Ave.,

Posen, MI 49776

Phone: (989) 766-2495

(989) 766-9917

“Your Local Auto Value Parts Store”

Domestic & Import Auto Parts, Marine Parts

Lawnmower Parts, High Performance Parts

Mason Auto Paint, Quad Parts, Oils

Chemicals, Oregon Bars, Chains & Sharpening

Tractor Parts & Drum Oils

WAYNE'S SHARP-ALL SERVICE

Power Equipment, Sales & Service
Tool Sharpening

2246 US Hwy. 23 South,
Rogers City, MI 49779

(989) 734-4053



Jack's Barbershop

Open
Tuesday-Saturday
404 N. 3rd Street
Rogers City



10760 Michigan Ave, Posen, MI 49776
989-766-8365
Join us on Facebook for
hours and weekly specials

X-TREME TIMBER CUTTING LLC

Art Nowicki
989-255-4437

Specializing in Harvesting
Standing Timber ~ Insured



2673 US-23 South
Alpena, MI 49707



R.J. Bordeau
Owner

Phone: 989-354-8983
Fax: 989-354-3560
e-mail: z-mi10@ziebart.com

HOLY SMOKES TOBACCO & CIGAR SHOPPE

#1 Smoke Shoppe of the North!!

148 S. Ripley St., Alpena, MI
718 1/2 US-23, East Tawas, MI

989-3403342 Alpena, MI
989-305-6851 East Tawas, MI
Holysmokes48730@hotmail.com



PRoPANE
989 595-2913

Delivering What
We Promise!

Propane and Fuels for Residential, Commercial, Cabins & Recreation

989-354-5524



Fueling Station

- Gasoline
- Rec Fuel
- Diesel
- Off-Road Diesel
- Propane Filling Station



989-340-6400

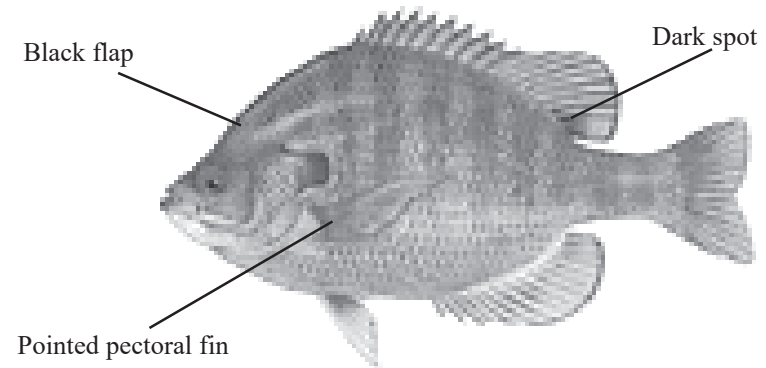
- Propane Accessories
- Snacks
- Beverages
- Beer, Wine & Spirits
- Broaster Chicken



FAMILY-OWNED & OPERATED

1141 U.S.-23 N., Alpena, MI 49707

*Sponsor of the Special Kids Category Kids 12 and Under
Prizes for the Largest 5 in each category: Bluegill, Perch, Bass, Rock Bass
Ties decided by time measured.*



GRAND LAKE MARINA

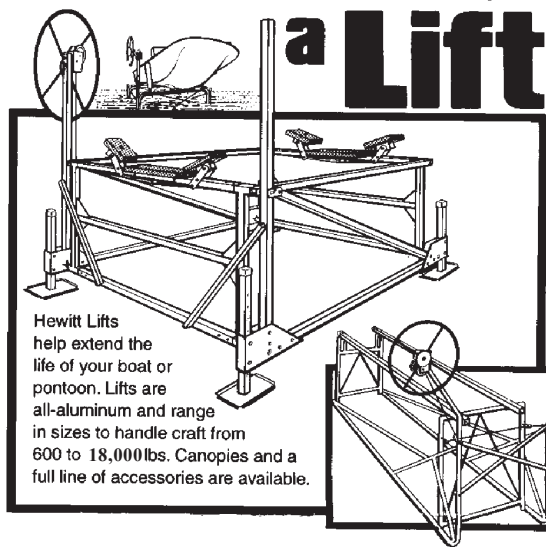
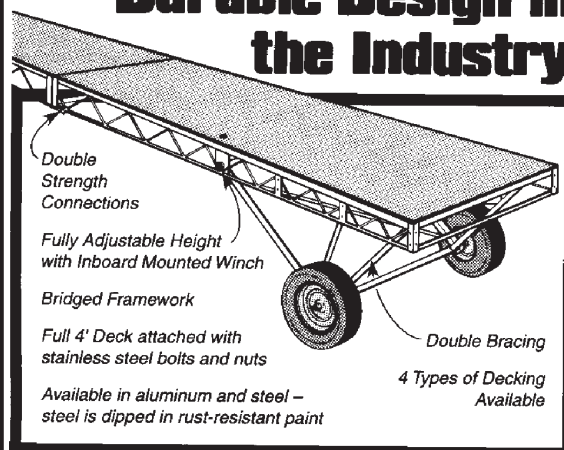
grandlakemarina@yahoo.com • 989-595-3365

Year Round Sales

Hewitt & Roll-A-Dock & Boat Lifts

Serving our Area for 26 Years

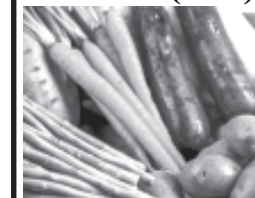
Roll-A-Dock™ The Most Durable Design in the Industry **Give Your Boat a Lift**



Alpena, MI
304 N. 9th Ave., Alpena • 354-2070
on the Thunder Bay River
HUNTING & FISHING LICENSES

Kipfmiller's

Produce & Meats, Inc.
2584 US-23 South, Alpena
(989) 356-2412



Deli Meat & Cheese,
Plants & Flowers,
Fresh Fruits & Vegetables,
Fresh & Smoked Meats,
Deer Processing
"Get it Fresh"

meijer®

Fitzpatrick's Hardware

2733 US-23 South, Alpena, MI 49707
fitzpatrickshardware@gmail.com
(989) 340-2132

RENTAL - LUMBER - HARDWARE

STIHL Outdoor Power Equipment
Milwaukee Tools • Paint

Facebook Page Fitzpatrick's Hardware

5472 E. Grand Lake Rd.
Presque Isle

989-595-5095



PORTAGE STORE AND DELI

Groceries • Deli • Beer • Wine • Pizza • Packaged Liquor
• Hunting /Fishing License/Bait
• Hudsonville Hand Dipped Ice Cream Cones
• Gift Shop • Featuring the Largest Selection Of
Presque Isle, Lake Huron Apparel & Souvenirs

Across from Presque Isle Harbor
Open 7 days a week (May - Mid-October)



EAGLE PRINTING SERVICE

4096 Long Rapids Rd.,
Alpena, MI 49707
Phone: (989) 354-8337
eagleps@charter.net

From Business Cards to Banners
we provide Quality Printing
and Promotional Products
at affordable prices.
QuickBook Laser Checks
Screen printing and Embroidery

Mark A. Wieschowski,
Owner/Sales
Over 25 years experience
www.eagleprintingservice.com

MARINE MEAT MARKET

Homemade Smoked Meats **515 Ripley Blvd., Alpena, MI 49707** **Party Trays**
Serving Alpena since 1888
Store: (989) 354-5505 Fax: (989) 356-4799

GOOD FOOD, GOOD TIMES



11 a.m. to 8 p.m. Tuesday - Saturday 989-734-2007
351 N. Bradley Hwy., Rogers City www.ScillsGrill.com

web: omegaelectricandesign.com

Full Service Sign & Electric Company

Serving all of Michigan
New Sign Design & Installation- Sign Repair
Refurbished Signs - Lighted & Non-Lighted



(989) 358-8243

email: omegaelectric1@gmail.com

LED Message Centers -
Channel Letters
Wall Signs - Pylon -
Parking Lot Signs
Awnings - Vehicle Graphics -
Flag Poles - Banners -
Custom T-Shirts - Stickers
Decals - Magnets - Yard Signs
Electrical Contracting & Service
Commercial - Industrial -
Residential

WAL*MART *Always*
SUPER CENTER
ALWAYS LOW PRICES.
(989) 354-0830

1180 W. M-32, Alpena, MI



Carquest Auto Parts
115 Lockwood
Alpena, MI 49707
(989) 354-2166

Auto Parts and
Industrial Equipment

Custom Mix Paint
PPG Ditzler

CLIFF ANSCHUETZ
CHEVROLET TRUCKS CHEVROLET CHEVROLET CARS
ALPENA, MI (989) 354-3157

Toll free: (800) 996-6604

Service & Bod Shop hours:
Monday - Friday 7:30 a.m. - 5:30 p.m.
Keep That Great GM Felling with Genuine GM Parts
Check US Out on the Web: www.cliffanschuetz.com



Mr. Goodwrench

Mr. Goodwrench

Fly High

MEDS CAFE

www.medscafe.com 2352 US-23, Rogers City Adult Use & Medical

GOOD LUCK!



Stop in for a Test Drive!



Gene Skiba



Jimmy Skiba



Bob Centala



Cory Davis



Shaun Losinski



US23 NORTH (133 JOHNSON ST.)
ALPENA 989.356.9011
www.alpenabuick.com



(989) 734-2911

Email: wirgaubuilder@yahoo.com



Timothy N. Wirgau
1776 W. Heythaler Hwy.,
Rogers City, MI 49779

BEUTER BUILDING AND CONTRACTING

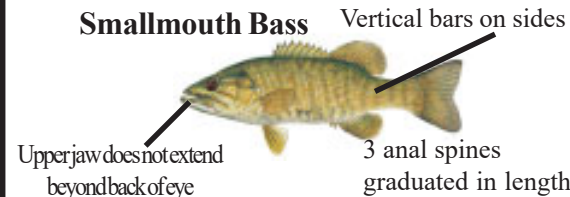
Complete Remodeling, Maintenance and New Construction
This Area's Brock Vinyl Dock Dealer

Since 1974
P.O. Box 125,
Presque Isle, MI 49777

Phone: (989) 595-6974
Fax: (989) 595-6974



5900 US-23 NORTH, ALPENA, MI 49707
www.abchomesalpena.com
Mark & Teena Holmes (989) 356-2621



DODGE Marine & Storage

On Scenic East Long Lake

Indoor & Outdoor Boat Storage & Shrink Wrap

Boat Hoists • Bennington Pontoons
Marine Service Dept.



Locally Owned & Operated
(989) 595-5040

2111 Long Lake Park Road, Alpena

Copping Auto Service, LLC

Foreign Domestic
Engine Repair Manual Trans & Axles Front End Steering
Braking Systems Electrical System
Heating & Air Conditioning
Engine Tune-up Automatic Transmissions
Tire Service and Sales

7329 US-23 N,
Alpena, MI 49707
(989) 595-6000



Mark A. Copping/Owner
Master Certified Mechanic
MI86713

Northern White Cedar LLC

Cedar Fencing – Cedar Paneling –
Cedar Siding and mulch

Dennis Nowicki

2510 W. LaComb Road
Alpena, MI 49707

Phone: (989) 657-2991

Email: nowickil2441@hotmail.com



TERRY KING
Sales & Leasing



(989) 356-6366
1-884-335-3322
Fax: (989) 354-3620
Cell: (989) 464-4201
twking128@gmail.com
www.deanarbour.com



1001 US-23N • Alpena, MI 49707

Sunrise Side Appraisal

Richard A. Bannasch
State Certified Residential Real Estate Appraiser



Office: (989) 595-9951
6160 Grand Point Rd., Fax: (888) 330-9951
Presque Isle, MI 49777 E-mail: ssappraisal@yahoo.com



McFalda Law Office, PLC
DO YOU NEED A WILL? OR A TRUST?
Free Initial Consultation
Judy McFalda, Attorney-at-Law
(989) 734-4486 Rogers City

Huron Veterinary Clinic

Chelsea VanAssche, DVM



3189 US-23 South, (989) 734-3731
Rogers City, MI 49779 Emergency Service Available



**Community
Commitment
since 1881**

401 N. Ninth Avenue, Alpena, MI
989-358-4900
866-358-4900

www.alpenapower.com

...low rates and exceptional reliability in northeast Michigan

YELLOW PERCH

6 to 8 dark bands



No sharp
canine teeth

Keep it reel

Fish Fry Every Friday
Happy Hour 3-6PM
Tuesday-Friday

Call for Take Out
(989) 358-9592

BOLTON RIDGE
THE RIDGE
BAR & GRILL

9101 S. Bolton Rd

boltonridgebarandgrill

PRELL'S SAWMILL

Custom Sawing,
Planing & Kiln Drying
Retail Sales of Vee Match
Lumber & Log Siding
Peeled and Hewned Posts

Greg & Sue Kowalski

989-734-2939 – phone
989-734-4664 – fax

jpsawmill@gmail.com | 8571 County Rd. 451
Hawks, MI 49743



1441 M-32, Alpena MI 49707
989-356-2106

SAFETY
PEOPLE
INTEGRITY
CUSTOMERS
EXCELLENCE

*Nourishing the Spirit of
Grand Lake*

Rededicated to providing
simply good goods,
extraordinary service, and
the neighborly atmosphere
that lies at the heart of our
deeply special community.



8121 E Grand Lake Rd, Presque Isle, MI 49777

@birchhillgrocery | www.birchhillgrocery.com

Bring this coupon when you next
come enjoy the store and take

10% off

your entire purchase of groceries,
dry goods, booze, and café and
bakery items. (Gas not included.)

Open Spring to Christmas.
Summer Hours: 9am - 9pm
NEW TEL: (989) 595-0595



DR. STEBER



&
STAFF Dentistry

174 N. Ripley Blvd.,
Alpena, MI 49707
(989) 356-6411



**ALPENA
AGENCY, INC.**

Insurance & Employee Benefits
Alpena • Mio
Auto - Home - Life - Health - Business
Medicare

We Make Insurance Easy!

(989) 354-2175

102 S. Third Ave.,
Alpena, MI 49707



R. S. Scott Associates, Inc.
Engineering Architecture Surveying
405 River St., Alpena, MI 49707
Phone: (989) 354-3178
Fax: (989) 354-3191

Second Floor – City Hall
St. Ignace, MI 49781
Phone: (906) 643-9584
Fax: (906) 643-9959



**The Source For The North
Classic Kitchen & Bath**

“Design Specialists”

(989) 354-2181
(800) 968-6333

410 Eleventh Ave., Alpena





1025 US-23 North, Alpena, MI 49707
 (989) 354-4012 • Fax: (989) 356-4300
www.perchsiga.com

**WHAT PERCH'S WAS BUILT ON...
 PUREST, FRESHEST MEAT PRODUCTS EVERYDAY!**

INVESTMENT NAVIGATORS



MOLLY BENSON
 Financial Advisor

(989) 356-5678

122 W. Chisholm St.
 Alpena, MI 49707
molly.benson@woodburyfinancial.net



Buck's

Live Bait & Tackle

Budd Jobson
 8501 US-23 N., Alpena, MI
 (989) 595-2121
 Open 7 days/dawn to dusk

Lee's Towing

Used Auto Parts For Most Makes & Models
 Late Model Wrecks Bought & Sold

Lee's Auto Parts

(989) 356-9617

(989) 354-2910

Mon.-Fri. 8:30 a.m. to 5:30 p.m.
 Sat. 8:30 a.m. to noon

5221 US-23 North, Alpena, MI 49707

KOWALSKI AGENCY, INC.

Complete Insurance Service

Phone: (989) 734-3880

141 South 3rd Street,
 Rogers City, MI

GRAND LAKE HOTEL

Built in 1912

Ruth & Christopher Cooper
 P.O. Box 95, 9258 Leavitt Dr.
 Presque Isle, MI 49777
 (772) 216-9021

Info@Grand-Lake-Hotel.com
www.Grand-Lake-Hotel.com



**OVERFLOW GUESTS – SMALL EVENT RENTALS – ENGAGEMENT PARTIES
 BRIDAL SHOWERS – REHEARSAL DINNERS – SMALL WEDDINGS – BABY SHOWERS
 ANNIVERSARY PARTIES – SMALL FAMILY GATHERINGS – CORPORATE PARTY**



**STEVE'S
 REPAIR SHOP**

Motorcycles • Snowmobiles • ATV

Steve Mischloney
 (989) 356-9222

1208 US-23 N,
 Alpena, MI 49707

Cut out & present ad for one free donut
 or cookie with purchase of any item

**Tradewinds
 Bakery**

Donuts, cookies, cupcakes,
 custom cake orders & more!

213 W. Erie Street
 Rogers City MI
 989-734-4774

Expires 8/1/2022



**Join the Fun
 Join the Club**

**Become a member of the
 Grand Lake Sportsmen's Club.
 Membership forms can be found on
 our website
www.grandlakesportsmen.org**

**Fishing Wildlife Conservation Fun
 And a big THANK YOU to all of the local
 businesses that support our community
 events.**

f GrekasRC

326 S. 1st Street Rogers City

(989) 734-9029



Best Bar on 1st Street

Follow Us on Facebook to keep up with Live Music, Parties & more

New Owners-Newly Remodeled



173 Pinkerton Ave, Hawks MI

(989) 734-7077

Night Hawk BAR & GRILL Hawks, Michigan

Located in beautiful downtown Hawks

Best Bar in town

Worth the drive out to see us

New Owners-Keno-ATM-Horseshoes-Newly Remodeled



"Our main goal is to make UpNorth 23 a destination place for Northern Michigan...to put Rogers City back on the map."

Outdoor Dining Available Memorial Day to Labor Day

"We look forward to creating an atmosphere where family, friends, and strangers can come together and enjoy delicious food with a gorgeous view of our beloved Lake Huron."

f UpNorth23

530 N 3rd St, Rogers City

(989) 734-2323

Phone: (989) 354-4366 COLD BEER & WINE



Alpena, MI

• PACKAGE LIQUOR •

Large Display of Craft Beer

WEDDINGS & PARTIES OUR SPECIALTY

1226 W. Chisholm, ALPENA, MI 49707



989-356-1992

The Downtown Union 76

COMPLETE AUTO SERVICE 201 E. CHISHOLM ST., ALPENA, MI SHELDON SCHMIDT Certified Technician



EMERY ENTERPRISES 144 W. WASHINGTON AVE - DOWNTOWN ALPENA, MI

Family Dining Soup & Salad Bar Homemade Pizza

Open Daily 11 a.m.

BANQUET FACILITIES UP TO 100 PEOPLE



377 N. Third, Rogers City (989) 734-4858



ALPENA VETERINARY CLINIC

Providing traditional & alternative medicine for all (989) 354-2925

www.alpenavet.com



BPA Fun Center



NAUTICAL LANES

14 AMF Lanes • Pro Shop • Glow Bowling

Scott, Brian & Luanne Bannasch, proprietors

391 N. Third St., Rogers City (989) 734-3250

A&I

Iron and Metal Company

Iron and Metal Company
Escanaba • Gaylord • Ishpeming • Kincheloe • Alpena Divisions

Glen Gambrel,
Manager

Phone: (989) 354-6780
alpena@alironandmetal.com



SAND BAY MARINA

SALES SERVICE STORAGE

Kevin Krajniak • Brandie Krajniak

989-595-2502

14019 US Hwy 23 South, Presque Isle, MI 49777

STATE STREET AUTO WASH

Automatic Soft Cloth Wash

Cars • Trucks • Van

Mon. thru Sat. 8 to 6; Sun. 9 to 4
Self-serve Bays Open 24 hours
102 Mason • Alpena • (989) 356-1923



PLUMBING • HEATING • COOLING

(989) 734-2932

202 S. Third St., Rogers City, MI 49779
zgorskic@gmail.com

DERBY'S



TACKLE & SUPPLIES

MCDONALD BROS COLLISION

Est. 1960

(989) 354-8493

Alpena, MI

Serving Up Tradition



Between Long Lake and Grand Lake

Phone: (989) 595-6787

10085 US-23 North,
Alpena

Offering Full Menu
Serving Dinner at 4 p.m.
Closed Mondays
Dine In or Take Out

Onaway
Custom Embroidery
& Vinyl Graphics

20689 State St.,
Onaway, MI

Phone
(989) 733-8538

Fax
(989) 733-5060

HATS
SHIRTS
JACKETS
SIGNS
MAGNETS
BANNERS
VEHICLE
& WINDOW
LETTERING
...and more



3137 US-23 South,
Alpena, MI 49707

(989) 356-4141
(800) 968-1976

Automotive
Machine Shop Services

McDonald Auto Supply

126 W. Washington,
Alpena, MI 49707



Phone: (989) 356-4544

LeAnn Burns, O.D.

Up North Eye Care

224 E Chisholm St., Ste A
Alpena, MI 49707
(989) 354-5890

100 W. Erie
Rogers City, MI 49779
(989) 734-3456

Eye Exams, Frames &
Lenses & Contact Lenses



Nicolet Anne Marie Smith
NATIONAL BANK Branch Manager

100 South Second Avenue
Alpena, MI 49707

asmith@bankmbank.com

T. 989-354-7346

C. 989-590-0967

F. 989-419-5990

www.nicoletbank.com



Gambles

ALPENA HARDWARE

2534 U.S. 23 South Alpena MI 49707

(989) 356-6356 • Fax (989) 356-6454

gambleshw@charter.net

BARRY J. SCHATZ

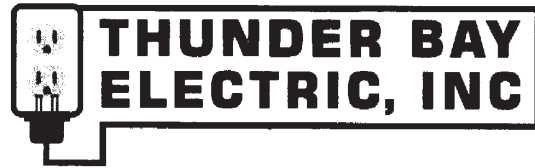
Licensed Insurance Agent



The Auto Club Group

2534 US-23 South, Alpena, MI 49707

(989) 358-4124 office
(989) 358-4129 fax
bjschatz@acg.aaa.com
michigan.aaa.com/barry.schatz



Phone: (989) 354-2840 1693 M-32 West
Fax: (989) 356-1509 P.O. Box 472
www.thunderbayelectric.com Alpena, MI 49707



John Werth, Plant Manager
1009 Long Lake Ave., Alpena, MI 49707
Office (989) 354-3502 • Fax (989) 358-9879
Cell (989) 306-1016
jwerth@spcstnprd.net • www.edwclavy.com

PLATH'S MEATS, INC.
Smoked Meats

LOINS • HAMS • BACON • SAUSAGE
Smoked Fish Salmon Custom Smoked
Will Smoke or Fast Freeze Your Catch



*"Custom Smoked Meat
Specialist Since 1913"*

(989) 734-2232

BENNY'S TIRE & OIL

• Licensed Brake Service •

OUR SERVICE STILL INCLUDE:

Oil Changes • Mufflers • Tailpipes • Tire Sales & Service
1952 US-23 South • Rogers City • (989) 734-3547

Parker House

On Long Lake
Restaurant, Cabins & Cottages

Restaurant Open All Year

Summer hours: Winter hours:
Daily 8 a.m. – 2 p.m. Friday, Saturday &
Sunday 8 a.m. – 2 p.m.

24732 US-23 South, Wayne McWilliams
Presque Isle, MI 49777 (989) 595-6484



Alpena, MI **989-340-1120**

Indoor/Outdoor Storage
Boats/Accessories/Docks/Hoists
Yamaha/Mercury Outboards
Full Service & Repairs
2015 Hamilton Rd.

Come See Us for Your Next Mortgage Loan!



**Alpena
Alcona Area
Credit Union**

NCUA (989) 354-1515

We offer a variety of mortgage options and home equity loans.

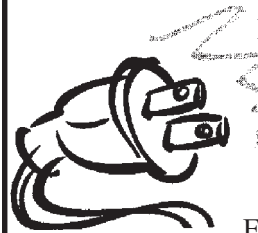
PHONE: (989) 595-2265

Shannon's

"HEAD" QUARTERS
Men's & Women's Styling

18195 Brooks Hwy., SHANNON ANDRZEJEWSKI
Alpena, MI 49707

K & K Electric
With Prices That Won't Shock You



Plug into the Pros

Rich Kadow, Owner
Licensed & Insured
Residential & Commercial
6784 East Metz Hwy.,
Posen, MI 49776
Office: (989) 766-8873
Fax: (989) 766-2222
E-mail: kkelectric@i2k.com

**Tulgestka Transport
Inc.**



800-346-8074 ext. 333 989-619-1234 Cell
Jeremy Tulgestka 989-734-3526 Fax
jeremy@tulgestkatrans.com

Brian Pagels

Tom McMillan



LAKESHORE
PLUMBING, HEATING & COOLING, INC.

1587 M-32
West, Alpena, MI

Phone: (989) 354-7574
Fax: (989) 358-1077

Fully Licensed & Insured



GARAGE DOOR/OPENERS

SALES/SERVICE/INSTALLATION
PROFESSIONALLY INSTALLED
GARAGE/ENTRY/STORM DOORS
REPLACEMENT WINDOWS
AWNING – ALUMINUM/FABRIC
DIY PARTS AND ADVICE

2250 US-23 S, Alpena (989) 354-8316



Steve Partyka
Branch Manager

1055 Crittenden Court Office (989) 356-4521
Alpena, MI 49707 Toll Free (800) 322-3029
www.standardelectricco.com Fax (989) 354-4986
Cell (989) 916-7309
steve.partyko@standardelectricco.com



WMCR Co.

1130 State Ave.,

Alpena, MI 49707-2419

(989) 356-4311

Franchisee of KFC Corporation

Arby's Classic Roast Beef
and Beef & Cheddar

2/\$6



of Alpena
354-2002

I'm thinking Arby's®.
2250 US 23 South • Alpena, MI 49707

Limit 4
Expires
8-1-22

Now with Twice the Space!

Dedicated Fish Room

Kama's a Fish!

ALPENA, MI

Live Feeder Insects

Frozen Mice & Rats



James L. Vedder, D.D.S., M.S.
Specialist in Orthodontics

176 N. Ripley Blvd.,
Alpena, MI 49707



(989) 356-3655
Fax: (989) 356-2204

RYGWELSKI'S IGA

Phone/Fax (989) 734-3248
Toll free 1-866-4KABASA (1-866-452-2272)
495 S. First Street
Rogers City, MI 49779

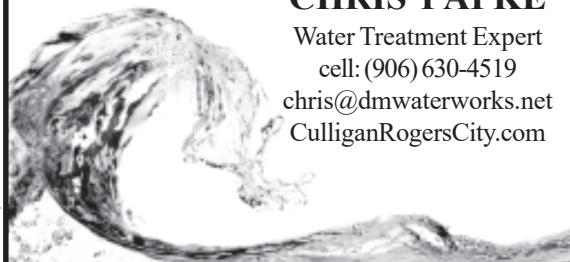
**Rygwelski's
MainStreet Deli**

186 S. Third
474-9265



Culligan Water

CHRIS PAPKE
Water Treatment Expert
cell: (906) 630-4519
chris@dmwaterworks.net
CulliganRogersCity.com



Rogers City: (989) 734-2959
Sault Ste Marie: (906) 632-6200

PROUDLY SERVING YOU SINCE 1900
BOB, NAKO, MARY, BEN, JASON & KATIE YOUNG
AND OUR AMAZING TEAM!

Voted #1 Appliances, Electronics, Furniture and Service
It's your home. Dream it. Create it!



Call us today! (800) 237-8778
2509 US-23 South, Alpena • youngappliance.com



North Coney Island

2668 US-23 South
989-354-2315

Open 7 a.m. to 4 p.m.
Weekdays
8 a.m. to 4 p.m. Saturdays
8 a.m. to 1:30 p.m.
Sunday (breakfast only)



Stanley
Wozniak
Insurance Agency, Inc.



10812 Michigan Ave.,
P.O. Box 157,
Posen, MI 49776
(989) 766-2282



**PRESQUE ISLE
HARBOR
ASSOCIATION
INC**

Jacob Kroll
Executive Director

P.O. Box 60
Presque Isle, MI 49777
(989) 595-2411
Fax: (989) 595-3183

presqueisleharbor.org



Where today's treasures become tomorrow's

Wayne Calkins • Susan Calkins
www.bolenzjewelry.com

(989) 354-4860
Fax: (989) 354-0610
(800) 523-6239

131 W. Chisholm,
Alpena, MI 49707

Budweiser **BUD LIGHT**

Huron Dist.
Ina

BUSCH BEER ALPENA / INDIAN RIVER **BUSCH LIGHT**

(989) 354-3450
Fax (989) 354-4475

- Custom Crankbaits
- Planer Boards
- Trolling Accessories



GATOR BAIT TACKLE

Gatorbaittackle.com

“The Official Bait of Grand Lake”



Owner/Operator Michele Gallagher

Grand Lake Resort

15103 US-23 South,
Presque Isle, MI 49777
Phone: (989) 595-6090
E-mail: grandlakeresort@yahoo.com

SAND BAY TRADING CO.



WOODY'S
GRAND LAKE

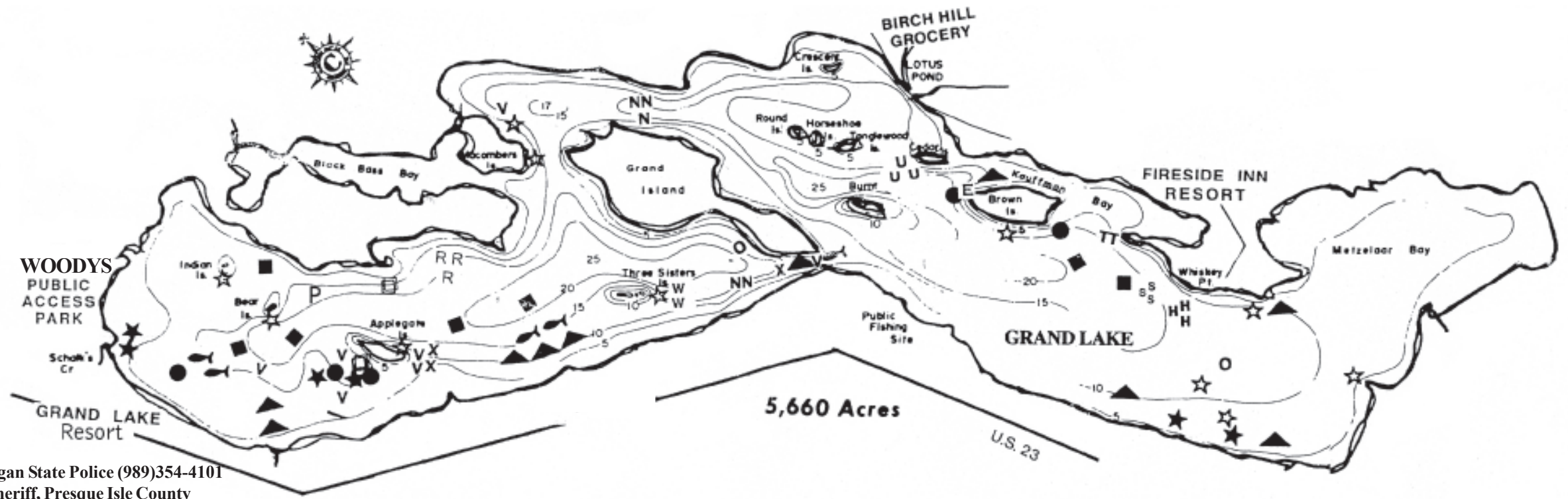
Presque Isle's year 'round
Restaurant &
Convenience Store
989-595-0242

MillerCoors™

Alpena Beverage

(989) 354-4329
alpbev@alpenabeverage.com

- | | | | | | | | |
|---|--------------------------|---|--------------------------|----------|--------------------------|----------|--------------------------|
|  | Installed Winter of 1985 |  | Installed Winter of 1992 | H | Installed Winter of 2000 | S | Installed Winter of 2008 |
|  | Installed Winter of 1986 | V | Installed Winter of 1993 | U | Installed Winter of 2002 | P | Installed Summer of 2011 |
|  | Installed Winter of 1987 | X | Installed Winter of 1994 | N | Installed Winter of 2003 | | |
|  | Installed Winter of 1988 | W | Installed Winter of 1995 | T | Installed Winter of 2005 | | |
|  | Installed Winter of 1989 | ? | Installed Winter of 1996 | E | Installed Winter of 2006 | | |
|  | Installed Winter of 1990 |  | Installed Winter of 1997 | R | Installed Winter of 2007 | | |
|  | Installed Winter of 1991 | | | | | | |



Michigan State Police (989)354-4101
Sheriff, Presque Isle County
(989)734-2156